

VEHICLE EXHAUST EXTRACTION



ASE/ASEM

Hose reels for exhaust fumes for worksites
with all types of stationary vehicles



FUMEX
PURE ADVANTAGE



Manual and motorised exhaust hose reels for worksites with all types of stationary vehicles

The ASE/ASEM hose reel is a practical solution for working with stationary vehicles. It helps to free up the work area from long hoses when the extractor is not being used. The ASE has a manual spring return, whilst the ASEM features a motorised return mechanism, ideal for high ceilings.

ASE/ASEM 65, 85, 125

ASE/ASEM 65, 85, 125 are equipped with a high quality, crush-resistant EPDM hose as standard and is available in Ø75/100/125/150 mm diameters.

ASE 65, 85, 125 come with one spring as standard, but can be equipped with an additional spring, if required. The recommended installation height for ASE 65, 85, 125 is generally 3-4 m. ASEM 65, 85, 125 are the motorised versions. Motor operation is always recommended for installation heights above 3-4 m in combination with hose lengths longer than 10 m.

ASE/ASEM 130

ASE/ASEM 130 is designed to handle applications where there is a need for very high airflows. With a strong, high quality EPDM hose (Ø200 mm) and connector (Ø200 mm), the reel can handle airflows up to 2500 m³/h.

The ASE 130 is equipped with dual springs to cope with the extra weight from the larger hose dimensions, whilst the ASEM 130 has dual motors to cope with the increased hose weight.

The additional power for hose retraction provides freedom of choice when it comes to the installation height and allows for a greater working radius; since the heavier weight of the hose itself does not affect the operation of the hose reel.

Nozzles

A wide range of exhaust nozzles are available as accessories for ASE/ASEM. The separate product sheet for the exhaust nozzles contains information on which nozzles are suitable for different applications.

Energy saving & accessories

By complementing your system with automatic control in the form of, for example, automatic dampers and frequency converters, you can:

- optimise energy consumption
- lower noise levels
- extend the service life of the system.

Information on automatic control units can be found in the separate product sheet titled Automatic Control Units for Vehicle Exhausts.

Accessories include automatic mechanical dampers, electric damper controls, dual spring set, and controllers for motorised hose reels (ASEM). All models can be equipped with special hoses, such as hoses with higher temperature resistance.

Fumex's hose reels allow the length and dimensions of the hose to be adapted to the needs of the worksite and according to the planned installation height.

Wide range

The hose reels are available in four models: ASE/ASEM 65, 85, 125, and 130. All reels have a light-weight aluminium/sheet metal design which allows for easy installation on ceilings, walls or floors.



Model programme

ASE (Manual return)	ASEM (Motorised return)	Hose			
		Type	Ø (mm)	Length (m)	Free hanging (m)
Hose dimension Ø75 mm					
ASE 65-75/5	ASEM 65-75/5	AG	75	5	-
ASE 65-75/7.5	ASEM 65-75/7.5	AG	75	7,5	-
ASE 65-75/10	ASEM 65-75/10	AG	75	10	-
Hose dimension Ø100 mm					
ASE 65-100/5	ASEM 65-100/5	AG	100	5	-
ASE 65-100/7.5	ASEM 65-100/7.5	AG	100	7,5	-
ASE 65-100/10	ASEM 65-100/10	AG	100	10	2
ASE 85/100/10	ASEM 85/100/10	AG	100	10	-
Hose dimension Ø125 mm					
ASE 65-125/5	ASEM 65-125/5	AG	125	5	-
ASE 65-125/7.5	ASEM 65-125/7.5	AG	125	7,5	-
ASE 85-125/10	ASEM 85-125/10	AG	125	10	-
ASE 85-125/12.5	ASEM 85-125/12.5	AG	125	12,5	1
ASE 125-125/15	ASEM 125-125/15	AG	125	15	-
Hose dimension Ø150 mm					
ASE 65-150/5	ASEM 65-150/5	AG	150	5	-
ASE 85-150/7.5	ASEM 85-150/7.5	AG	150	7,5	-
ASE 85-150/10	ASEM 85-150/10	AG	150	10	1,5
ASE 125-150/10	ASEM 125-150/10	AG	150	10	-
ASE 125-150/12.5*	ASEM 125-150/12.5	AG	150	12,5	-
ASE 125-150/15*	ASEM 125-150/15	AG	150	15	1,5
Hose dimension Ø200 mm					
ASE 130-200/10*	ASEM 130-200/10	AGX	200	10	-
ASE 130-200/12.5*	ASEM 130-200/12.5	AGX	200	12,5	1,5
ASE 130-200/15*	ASEM 130-200/15	AGX	200	15	4

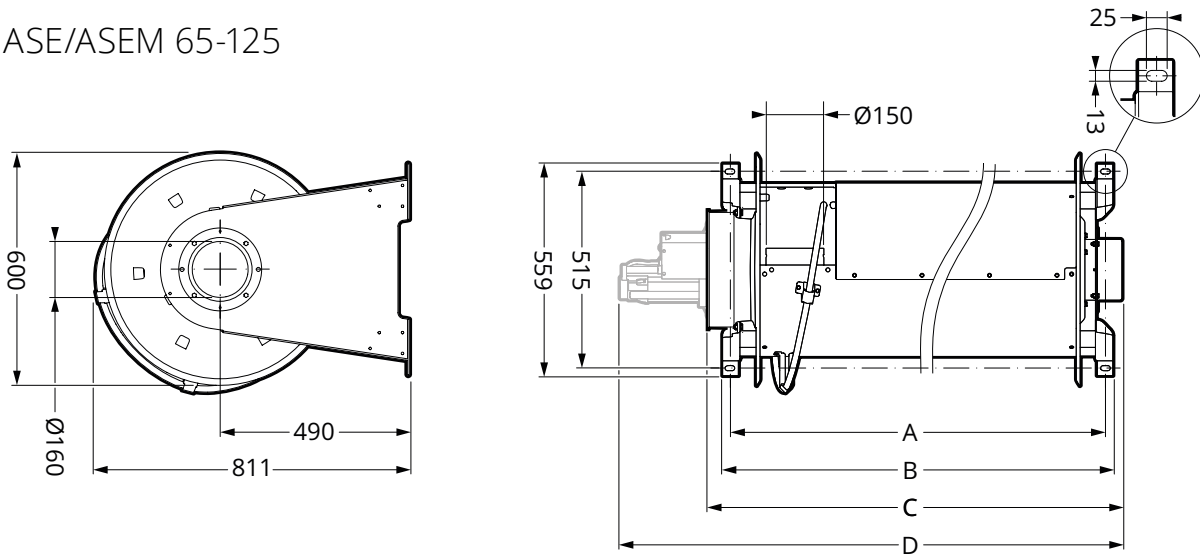
Recommended installation height for ASE 65, 85, 125 is 3-4 metres.

* Dual springs included.

This feature is available when using an original Fumex hose and Fumex nozzle with a maximum weight of 2.8 kg.

Dimension diagrams (mm)

ASE/ASEM 65-125

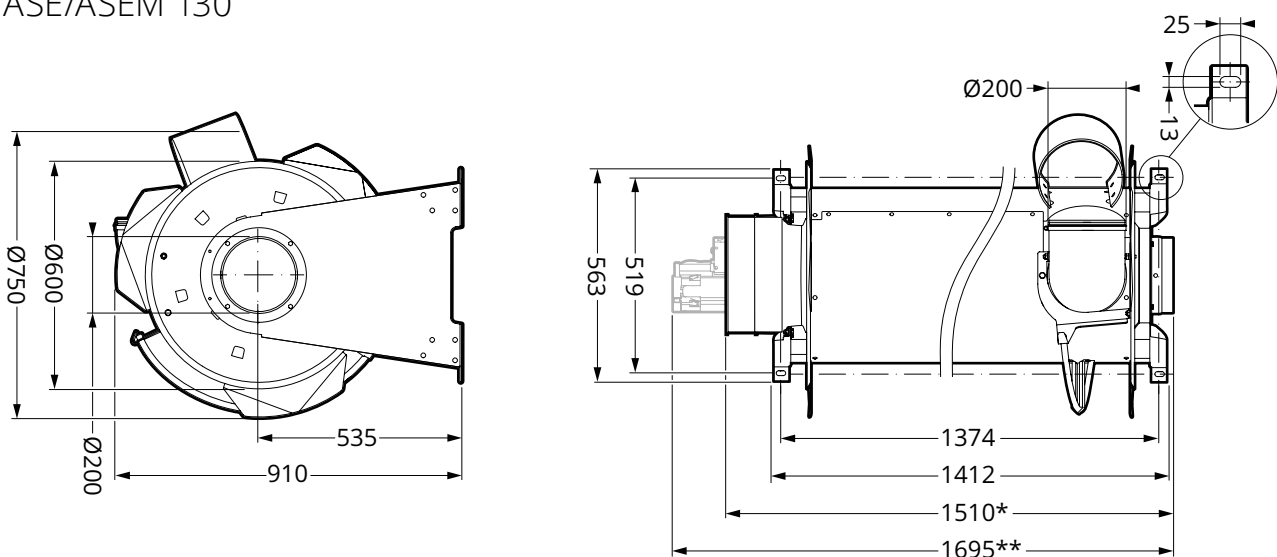


Article	Dimensions (mm)			
	A	B	C*	D**
ASE/ASEM 65	774	812	854	1102
ASE/ASEM 85	974	1012	1054	1302
ASE/ASEM 125	1374	1412	1454	1702

* Specified dimensions only apply to ASE (spring).

** Specified dimensions only apply to ASEM (motor).

ASE/ASEM 130

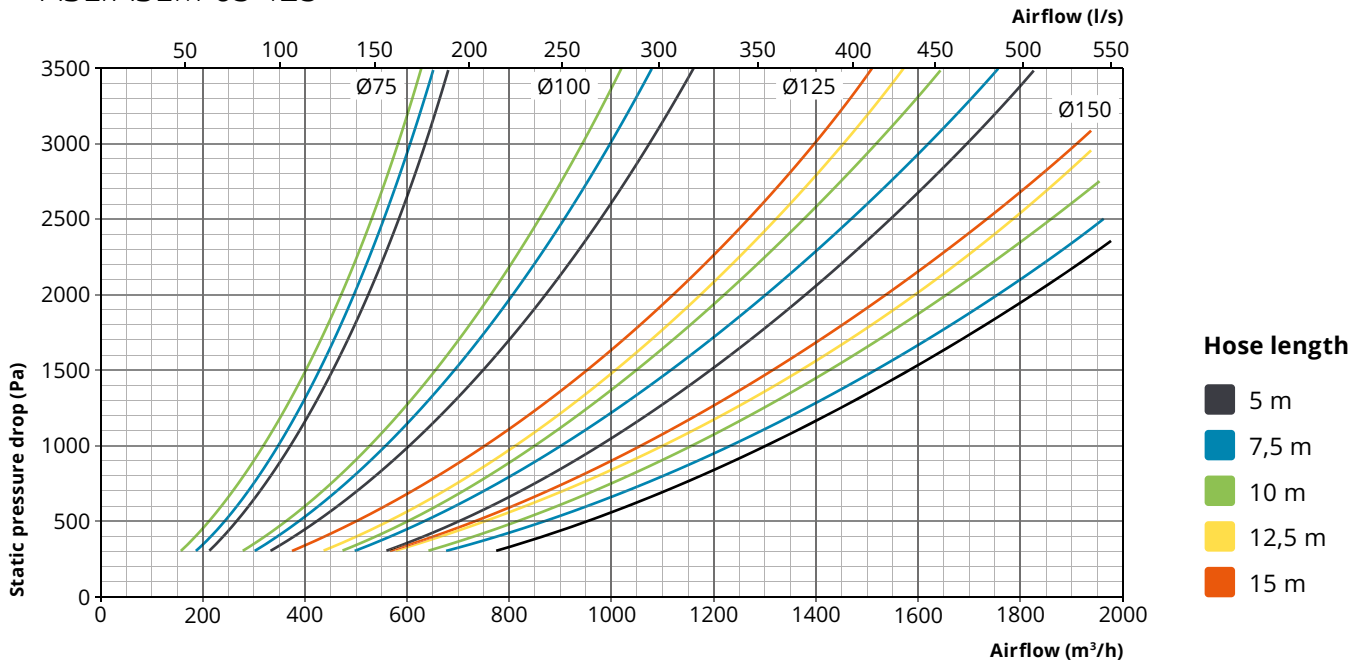


* Specified dimensions only apply to ASE (spring).

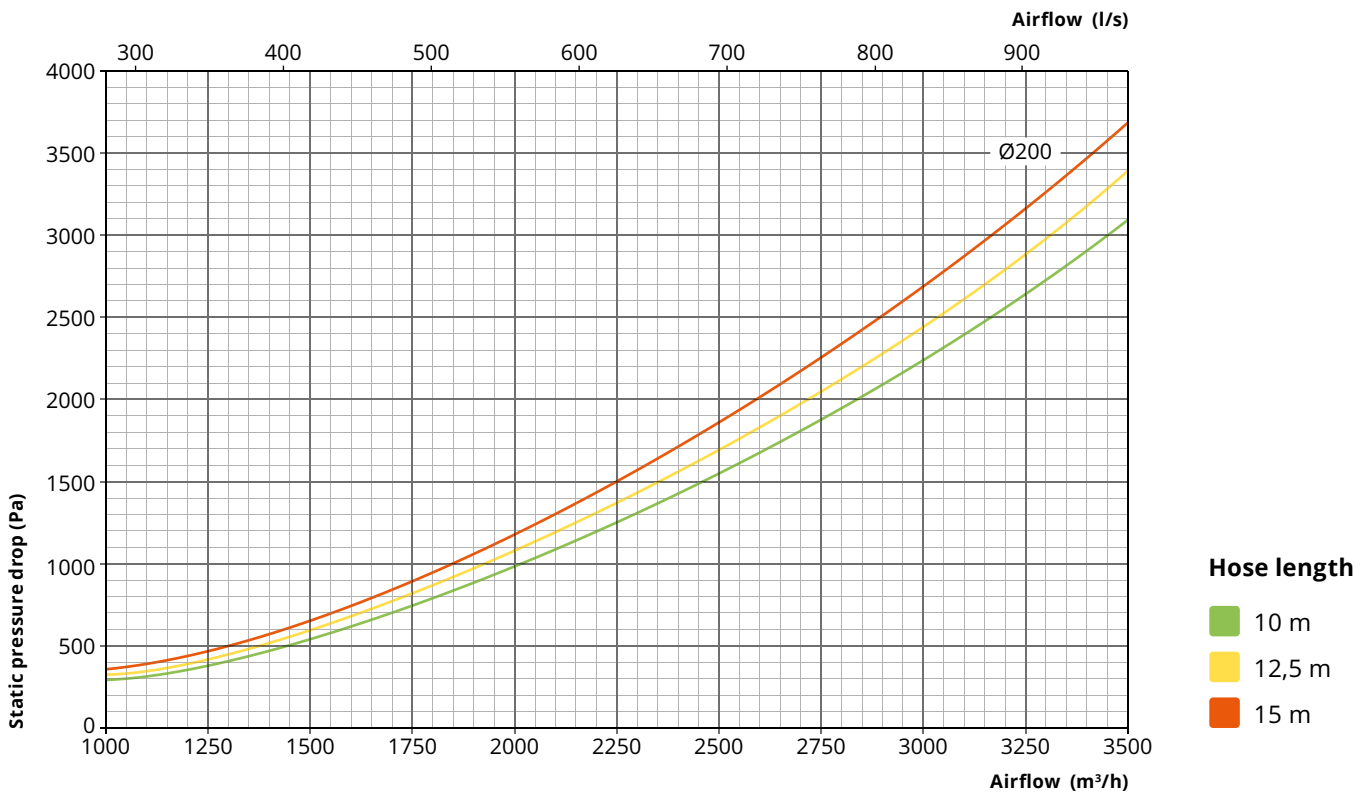
** Specified dimensions only apply to ASEM (motor).

Pressure drop (fully extended hose)

ASE/ASEM 65-125



ASE/ASEM 130

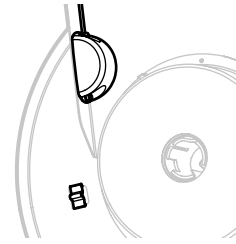


Accessories

ASE 865 - Switch for controlling fans/electric dampers

Externally mounted. Activated by the rotation of the hose reel. Automatic start/stop of fan and electric damper. Max 24 V supply voltage. For a complete system, the Fumex S 600/S 400 control unit must be used (refer to the separate product sheet Automatic Control Units for Vehicle Exhausts).

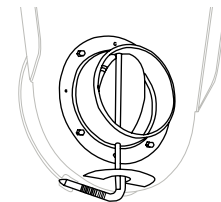
Fits: ASE/ASEM



ASES - Automatic mechanical damper

For fitting to the connection sleeve. Activated by the rotation of the hose reel. The damper has a clear indicator, which shows whether the damper is open or closed. ASES is an energy-saving accessory. Combine with fan pressure control to further optimise the system.

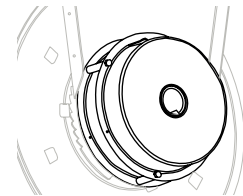
Fits: ASES 160 - ASE 65-125
ASES 200 - ASE 130



ASED - Extra spring set for manual hose reel

For fitting to the exterior of an standard spring when additional lifting power is required, e.g. for long hoses, heavier hoses/nozzles, and high mounting heights. Supplied fully equipped with drive shaft. Weight: 7.5 kg

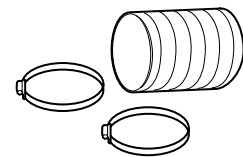
Fits: ASE 65-125



ASL

0.2 metre hose with hose clamps for connecting the hose reel and duct.

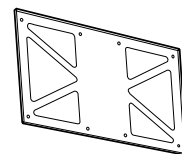
Fits: ASL 160 - ASE 65-125
ASL 200 - ASE 130



AMRE

Mounting frame for ASE/ASEM.

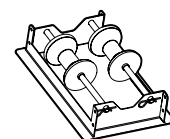
Fits: AMRE 65 - ASE/ASEM 65
AMRE 85 - ASE/ASEM 85
AMRE 125 - ASE/ASEM 125



AGR

Ceiling frame for hose entry.

Fits: AGR-100 - Hose dimension Ø100 mm **Outer dimensions** 560 x 390 mm **Hole dimensions** 545 x 315 mm
AGR-125 - Hose dimension Ø125 mm

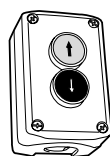


Controllers (ASEM)

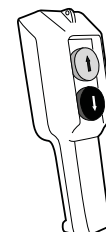
Used to reel the hose in and out easily and conveniently, while helping to prevent work-related injuries.



ASEM RADIO
Radio control set
(transmitter/receiver)
IP 55.



ASEM 1
Wall-mounted
controller
IP 66.



ASEM 2
Hanging
controller
IP 65.

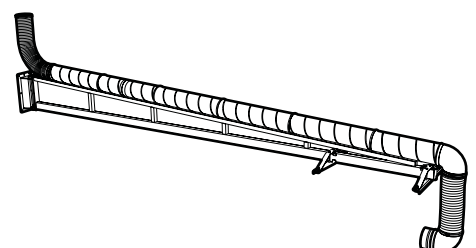
ASB

Swivel arm for hose reel. Complete including mounting kit, hose- and duct details.

ASB 1960
Length:..... 1960 mm
Weight: 44 kg

ASB 4300
Length:..... 4300 mm
Weight: 70 kg

ASB 6300
Length:6300 mm
Weight:.....88 kg



Specifications

Form of delivery

ASE/ASEM 65, 85, 125 Complete with hose type AG.
ASE/ASEM 130 Complete with hose type AGX.

Surface finishing

Sheet metal Powder-coated
Aluminium Anodised

Hose type AG (ASE/ASEM 65, 85, 125)

EPDM with polyester coil, crush resistant,
temperature range -30 °C – 170 °C.

Hose type AGX (ASE/ASEM 130)

EPDM with 2 mm steel coil,
temperature range -30 °C – 170 °C.

Motor (ASEM)

	ASEM 65, 85, 125	ASEM 130
Voltage:	1-phase 230 V	1-phase 230 V
Rated current:	1,6 A	2,85 A
Rated power:	360 W	650 W
Torque:	100 Nm	200 Nm
Lifting force:	30 kg	60 kg
Enclosure:	IPX4	IPX4

Weight excluding hose (kg)

	65	85	125	130
ASE	35	37	40	57
ASEM	40	43	45	55

Recommended installation height

ASE/ASEM 65, 85, 125

Recommended installation height for ASE/ASEM 65, 85, 125 is 3-4 metres. For higher installation, an extra spring may be required. Motor operation is always recommended for installation at heights above 3-4 metres in combination with hose lengths longer than 10 metres.

ASE/ASEM 130

ASE/ASEM 130 is equipped with dual springs or a more powerful motor, which allows for a greater working radius and freedom of choice when it comes to the installation height, since the heavier weight of the hose itself does not affect the spring-loading of the hose reel during retraction.

Recommended airflow rate for extraction in vehicle workshops

This recommendation applies to low motor speed and load.

Activity	m³/h	l/s
Passenger cars	400	110
Trucks	1000	280

Additional information

For information on nozzles and automatic control units, refer to the separate product sheets.