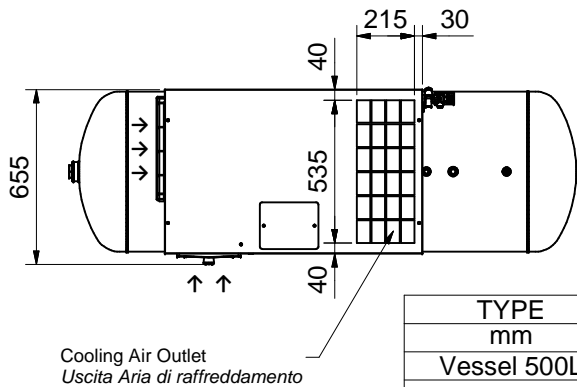
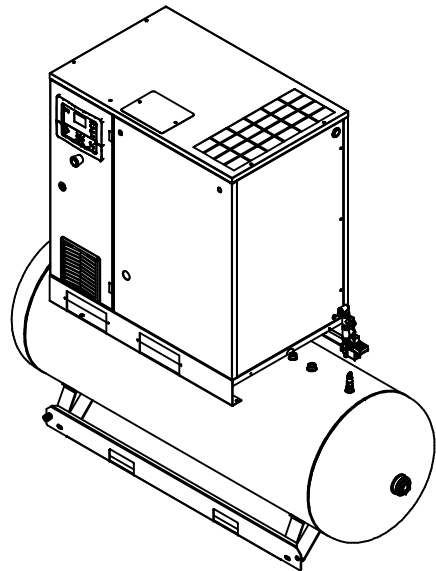
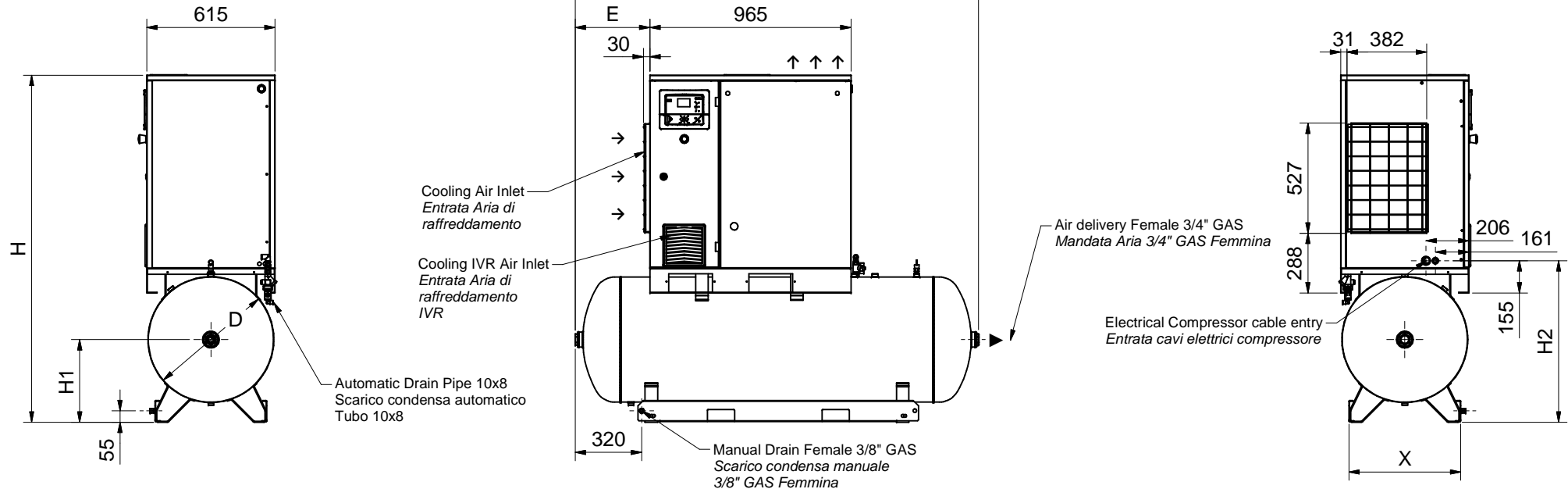


All materials supplied are in compliance with the requirements of the List of Prohibited Substances



10-15-20 Hp - IVR ASSEMBLY

TYPE	L	D	E	X	H	H1	H2
Vessel 500L	1935	600	360	536	1665	396	775
Vessel 270L	1535	500	275	466	1535	315	645

Tolerances, if not indicated, according to:

Name		DIM.DRW C55DD TM		Confidentiality Class acc. to 1102 K	
Material		Not Applicable		Confidential	
Treatment		Not Applicable		INV	
Scale		1:20		Family C55*DD	
Drawn by		caipandrighetto		Blank nr.	
Drawing format		A3		Fini wt. N/A	
Des checked.		Prod checked.		Approved.	
Date		15/09/2015		Designation	
STATUS		Approved		Sheet 1 / 3	
Ed		00		9828083211	

CONFIDENTIAL:

This document is our property and shall not without our permission be altered, copied, used for manufacturing or communicated to any other person or company.

00	ISSUED DN 15 0612 31 - 25936	21-09-2015		9828083211-M1	00
Ed	Position	Date	Intr./Appd.	Parent 3D model	Edition 3D
	Modified from				