

MINI BENCHES AND LIFTS

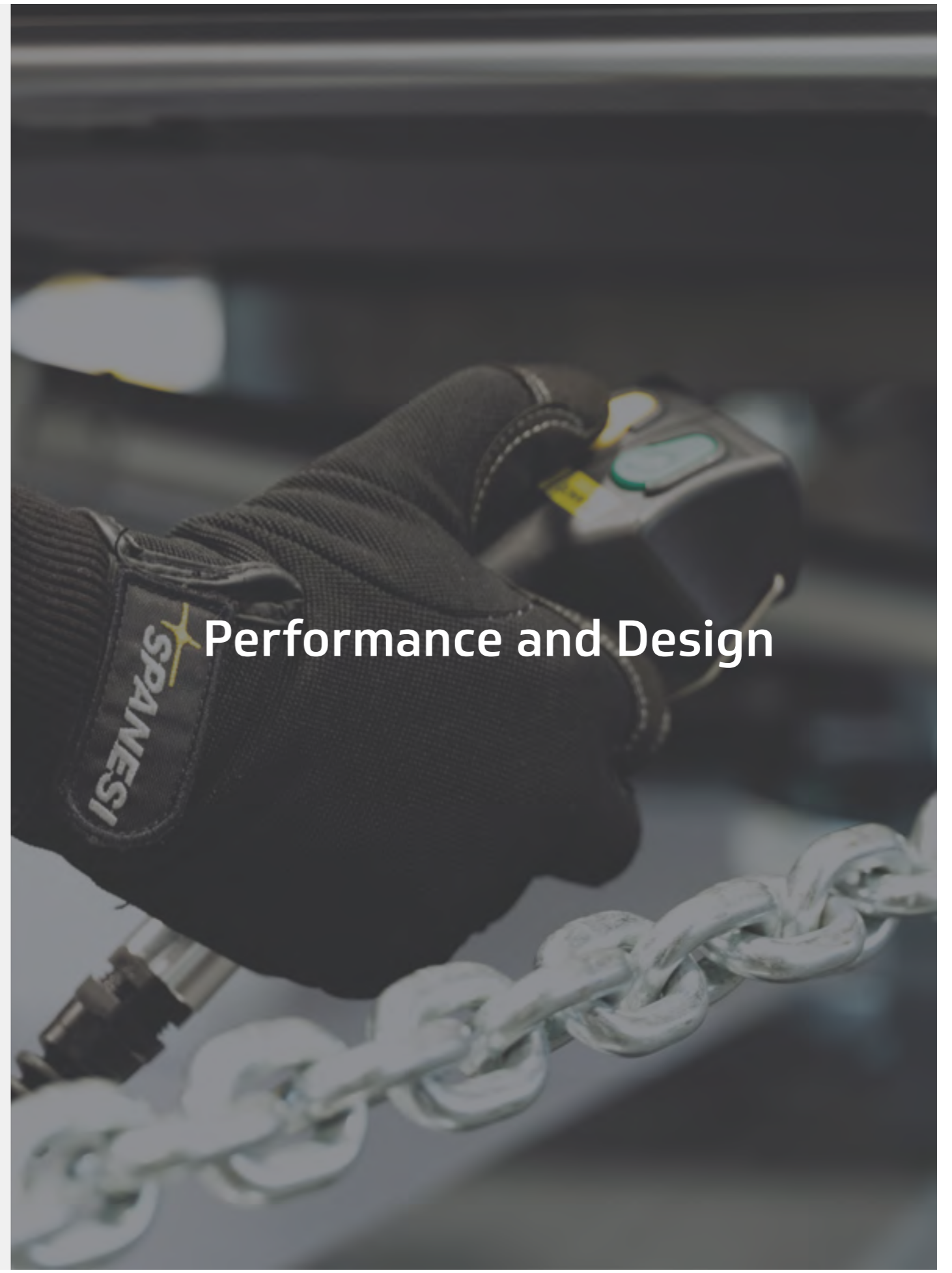


 **SPANESI**®

INDEX

| | |
|-------------------|----|
| Minibench | 6 |
| Ponybench BT Plus | 18 |
| Lifts | 26 |

Performance and Design



MINIBENCH

Smart. Fast.
Powerful.



MINIBENCH

Small and medium damage

The Minibench is designed to repair small and medium damage with maximum speed and ease.

Sturdy and compact, it occupies very little space inside the bodyshop.

Lifting and repairing any vehicle

The Minibench can be used for most vehicles, including commercial vehicles, SUVs and 4x4s.

It can be used as a lift or straightening bench, with a 6 ton pull column capable of delivering 360° pulls around the entire vehicle. Incorporating the Touch electronic system for precise structural measurements adds additional speed and accuracy to each repair performed back to the vehicle's OEM specifications.

Given its versatility, it is a bench that is used daily.



Lift



Repair



Repair with Touch





FOCUS POINTS

01 ———
FAST, EASY AND UNIVERSAL
 Perfect for small and medium damage

02 ———
COMPACT AND RUGGED
 Requires very little spaces

03 ———
NO HARD EDGES
 Rounded corners
 Eliminates vehicle damage during loading

04 ———
FAST LOADING OF THE VEHICLE
 Low profile floor plates
 Always attached to the bench

05 ———
MULTIPLE USES
 Lift
 Repair
 Repair with Touch



FOCUS POINTS

06 ———
CLAMP ATTACHMENT WITHOUT USING TROLLEYS
 Universal clamps
 OEM Specific clamps

07 ———
PULLING COLUMN
 Safe and automatic bench connections
 360° Pulling
 Multiple pulling directions
 Powerful 6 ton capacity

08 ———
TOUCH ACCURACY
 For even faster and more precise repairs
 Real time measuring during pulling process

MINIBENCH

Front pulling column insertion location

| | |
|----------------|--------------|
| LOAD CAPACITY | 2200/2500 kg |
| LENGTH | 1912 mm |
| LIFTING HEIGHT | 1350 mm |
| MINIMUM HEIGHT | 100 mm |
| PULLING FORCE | 6 Ton |

MINIBENCH DT

Front and back pulling column insertion locations

| | |
|----------------|--------------|
| LOAD CAPACITY | 2200/2500 kg |
| LENGTH | 2065 mm |
| LIFTING HEIGHT | 1350 mm |
| MINIMUM HEIGHT | 100 mm |
| PULLING FORCE | 6 Ton |

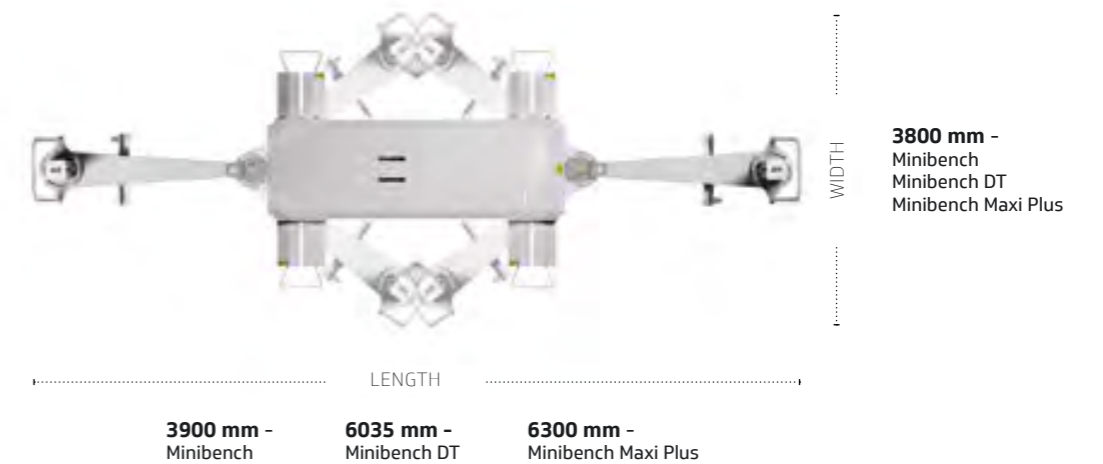
MINIBENCH MAXI PLUS

Front and back pulling column insertion locations

| | |
|----------------|---------|
| LOAD CAPACITY | 3500 kg |
| LENGTH | 2327 mm |
| LIFTING HEIGHT | 1600 mm |
| MINIMUM HEIGHT | 108 mm |
| PULLING FORCE | 6 Ton |



PULLING COLUMN FOOTPRINT





**STANDARD
INCLUDED
ITEMS**

**Minibench
Minibench DT
Minibench Maxi Plus**

Pantograph electro-hydraulic lift



Pulling column



Control box



Electro-hydraulic unit located away from the bench for easy access.

Rugged and tough, for 360° pulling.

4 Sliding side floor plates



Moveable sliding plates to adjust for different length vehicles.

4 Support buffers



For lifting.

4 Universal clamps



For repairing.

PONYBENCH BT PLUS

Below floor level

The Ponybench BT Plus is the hidden mini bench that allows you to make the most of the space inside of the bodyshop.

When it's not in use, the Ponybench BT Plus disappears into the floor entirely, allowing the area to be used for vehicles in other phases of the repair process.

Lifting and repairing small and medium damage

Fast and efficient multi-purpose bench with a capacity of 3000kg, making it suitable for most types of vehicles.

Designed to be used as lift or a bench in order to quickly repair small and medium damage. Incorporate the Touch electronic system to allow increased repair efficiencies and improved accuracy to OEM specifications.



Lift



Repair



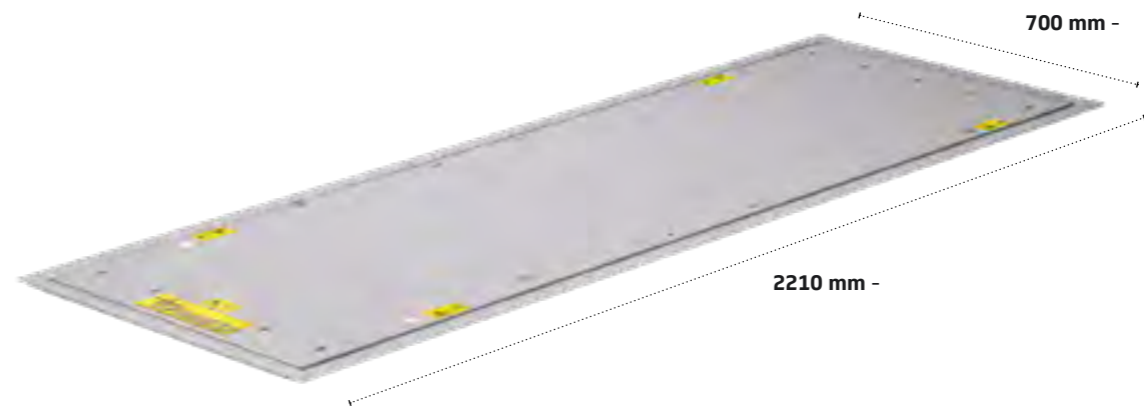
Repair with Touch



PONYBENCH BT PLUS

Front and back pulling column insertion locations

| | |
|----------------|---------|
| LOAD CAPACITY | 3500 kg |
| LENGTH | 2210 mm |
| LIFTING HEIGHT | 1450 mm |
| PULLING FORCE | 6 Ton |



PULLING COLUMN FOOTPRINT





**STANDARD
INCLUDED
ITEMS**

Ponybench BT Plus

Pantograph electro-hydraulic lift



Pulling column



Control box



Electro-hydraulic unit located away from the bench for easy access.

Rugged and tough, for 360° pulling.

Automatic bench arms



Automatic opening and closing.

4 Support buffers



For lifting.

Kit of Universal / Adjustable Clamps



For repairing.

MINI ECO

Pneumo-hydraulic lift with:

- Pneumatic pump;
- Pneumatic arms;
- Adjustable support buffers;
- ATEX available (only for 2800 kg version).

| | |
|----------------|--------------|
| LOAD CAPACITY | 2200/2800 kg |
| LENGTH | 1650 mm |
| WIDTH | 700 mm |
| MINIMUM HEIGHT | 110 mm |
| LIFTING HEIGHT | 1250 mm |



PONYBENCH BE PLUS

Electro-hydraulic lift with:

- Control Box;
- Pneumatic arms;
- Support buffers.

| | |
|----------------|---------|
| LOAD CAPACITY | 3500 kg |
| LENGTH | 2210 mm |
| WIDTH | 700 mm |
| LIFTING HEIGHT | 1450 mm |

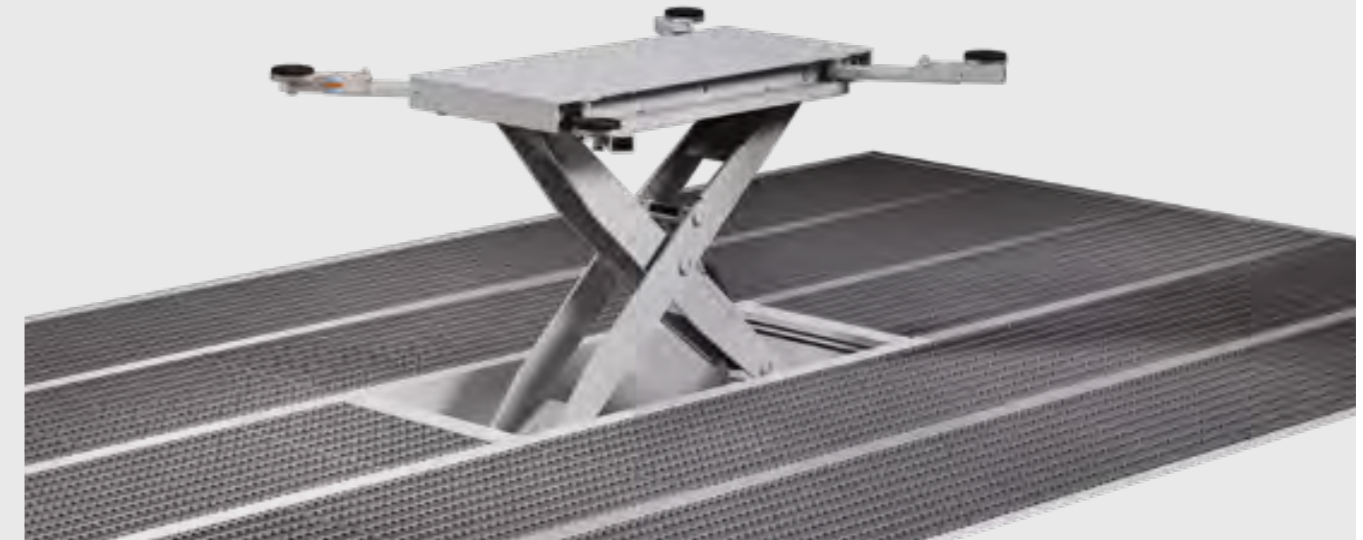


PONYBENCH BE 15

Electro-hydraulic lift with:

- Control Box;
- Pneumatic arms;
- Adjustable support buffers.

| | |
|----------------|---------|
| LOAD CAPACITY | 3000 kg |
| LENGTH | 1670 mm |
| WIDTH | 700 mm |
| LIFTING HEIGHT | 970 mm |



PONYBENCH PR PLUS

Electro-hydraulic lift with:

- Control Box;
- Wheel-lifting platforms.

| | |
|----------------|---------|
| LOAD CAPACITY | 3500 kg |
| LENGTH | 3500 mm |
| WIDTH | 1900 mm |
| LIFTING HEIGHT | 1400 mm |





Spanesi S.p.A.

Via Praarie 56/II - 35010

Cavino di San Giorgio
delle Pertiche (PD)

Tel. +39 049 933 32 11

e-mail: info@spanesi.it