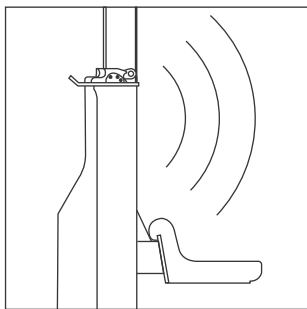




»» Mobile column lift  
EHB® 907 / 908 DC wireless

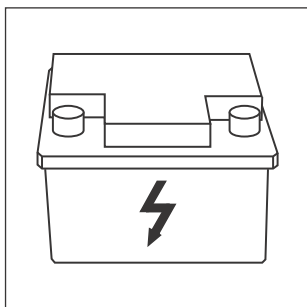
# Lift vehicles anywhere and everywhere – without cables and power supply.

With the battery-driven lifting column EHB® 907/908 DC wireless you are independent from an electrical power supply and can move absolutely freely. No cable connections, no obstructions – this lift system provides you with the optimum in mobility and flexibility. With a lifting capacity of up to 8.5 t per column.



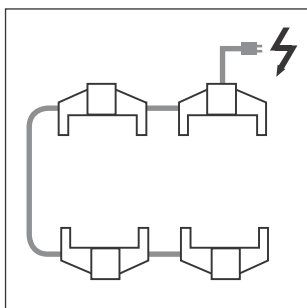
## Radio-controlled

Wireless communication of columns via radio control. No troublesome cable connections.



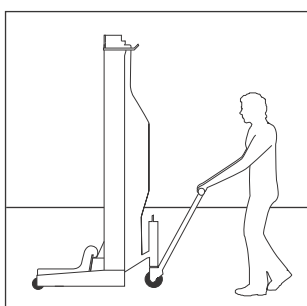
## Independent battery drive

The power supply of the columns is by maintenance-free batteries, to work several days without recharging.



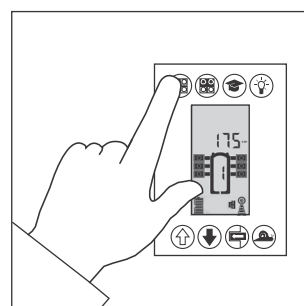
## EasyCharge

Simple charging of batteries with only one 230V mains supply per lift set. Charging is also possible during lift operation.



## Easy to move

The column can be moved by one person with ease.



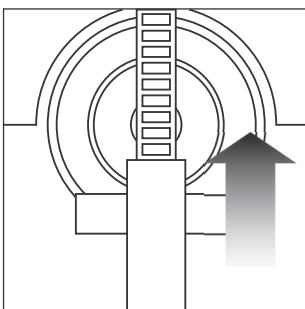
## Simple operation

To operate from each column. Large display with clear illustration of the complete lift set.

INFO:  
[www.finkbeiner.eu](http://www.finkbeiner.eu)  
[www.finkbeiner.co.uk](http://www.finkbeiner.co.uk)

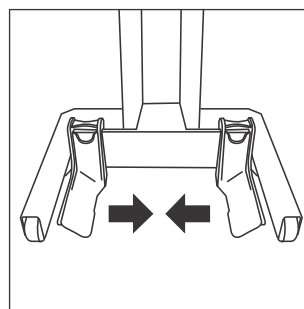
### Flexible combinations

Up to 10 columns can be combined within one lift set, or separated into several lift sets.



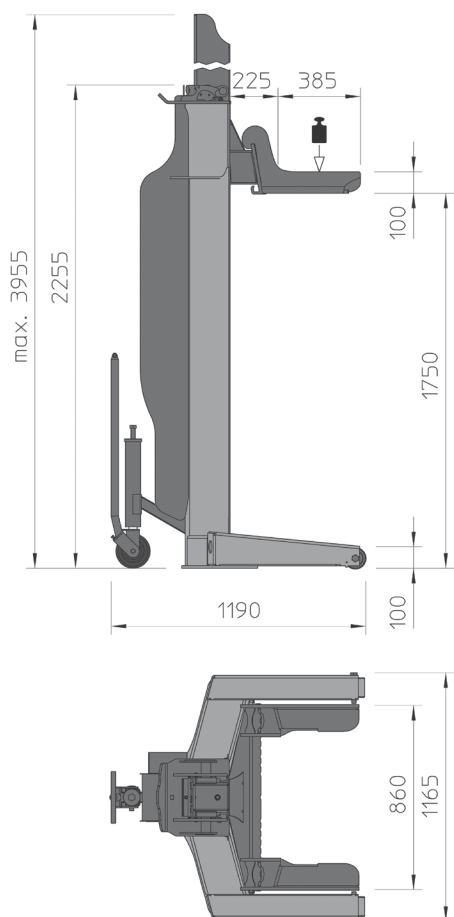
### Accurate and smooth synchronisation

Softstart, operation works with smooth increase of speed and load protection. Synchronisation is without any increments. Fast and slow speed operation.



### Individually adjustable

Adjustable wheel forks, no wheel adaptors required, also suitable for super singles.



#### Technical data EHB 907/908 V11 DC – wireless

Capacity:	EHB 907 DC – 7.5 t per column EHB 908 DC – 8.5 t per column
Load support:	Wheel fork adjustable for wheels, Ø 550 - 1140 mm, length 385 mm (for super singles)
Lifting stroke:	1750 mm (effective)
Lifting / lowering time:	Approx. 90 sec.
Operation:	At each column with LCD display Up / Down Fast / Slow speed All / Single / Pair / Group Max. 10 columns per lift set Configuration of columns with permanent memory
Control:	Continuous / softstart
Communication:	Wireless via radio control
Drive:	Electro-hydraulic EHB 907 DC – 2.2 KW EHB 908 DC – 3 KW
Power source:	Batteries, 24 V
Connection:	230 V AC (for charging device) 10 m charging cable EasyCharge: up to 4 columns can be charged with one mains supply
Travelling device:	At each column, spring-loaded wheel jack at rear, fixed front wheels

# Finkbeiner®

Walter Finkbeiner GmbH  
Alte Poststrasse 9 · 72250 Freudenstadt · Germany  
Tel +49 (0)7441 4031 · Fax +49 (0)7441 87778  
info@finkbeiner.eu · www.finkbeiner.eu

The Finkbeiner company  
is certified by

