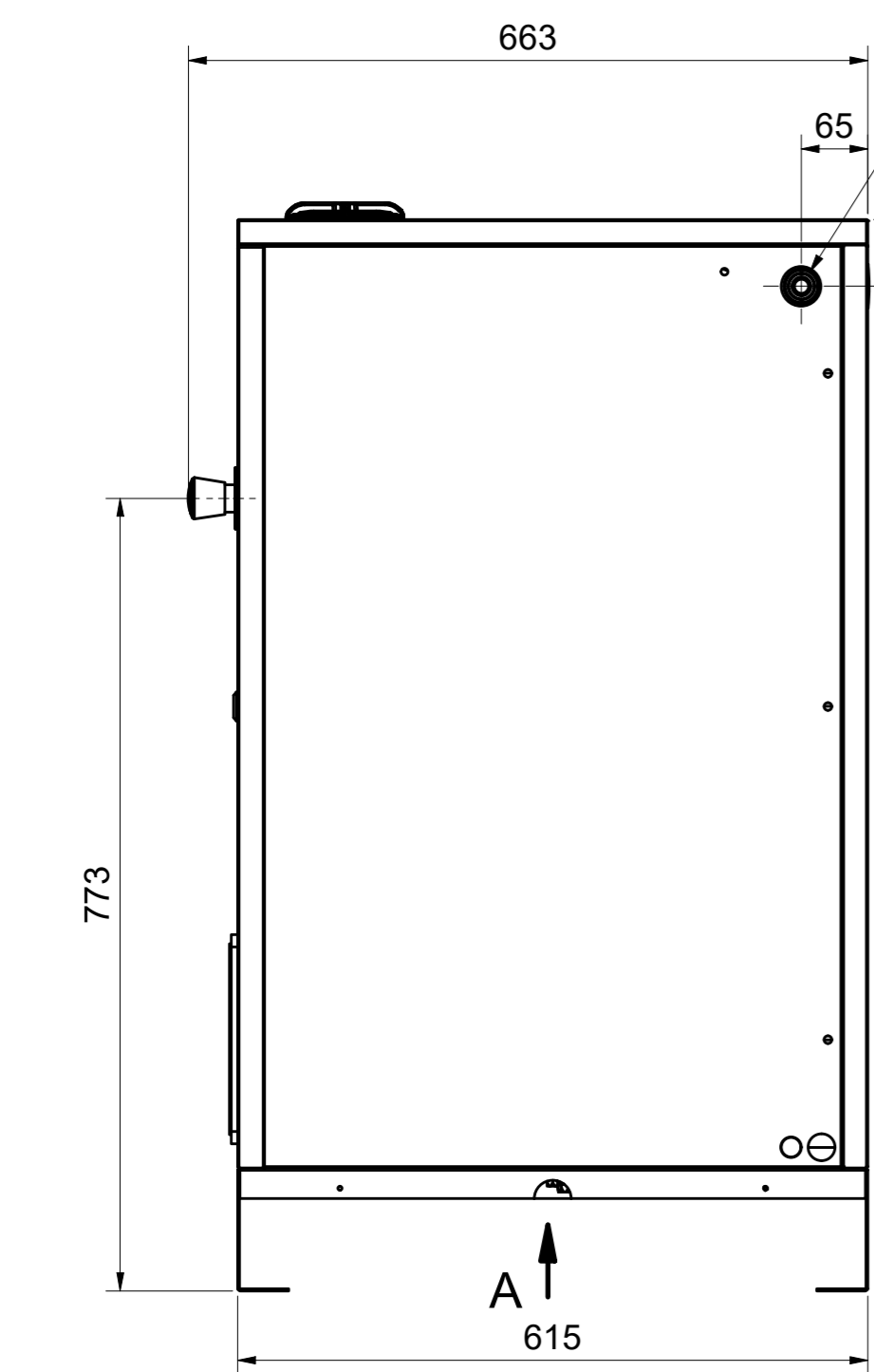
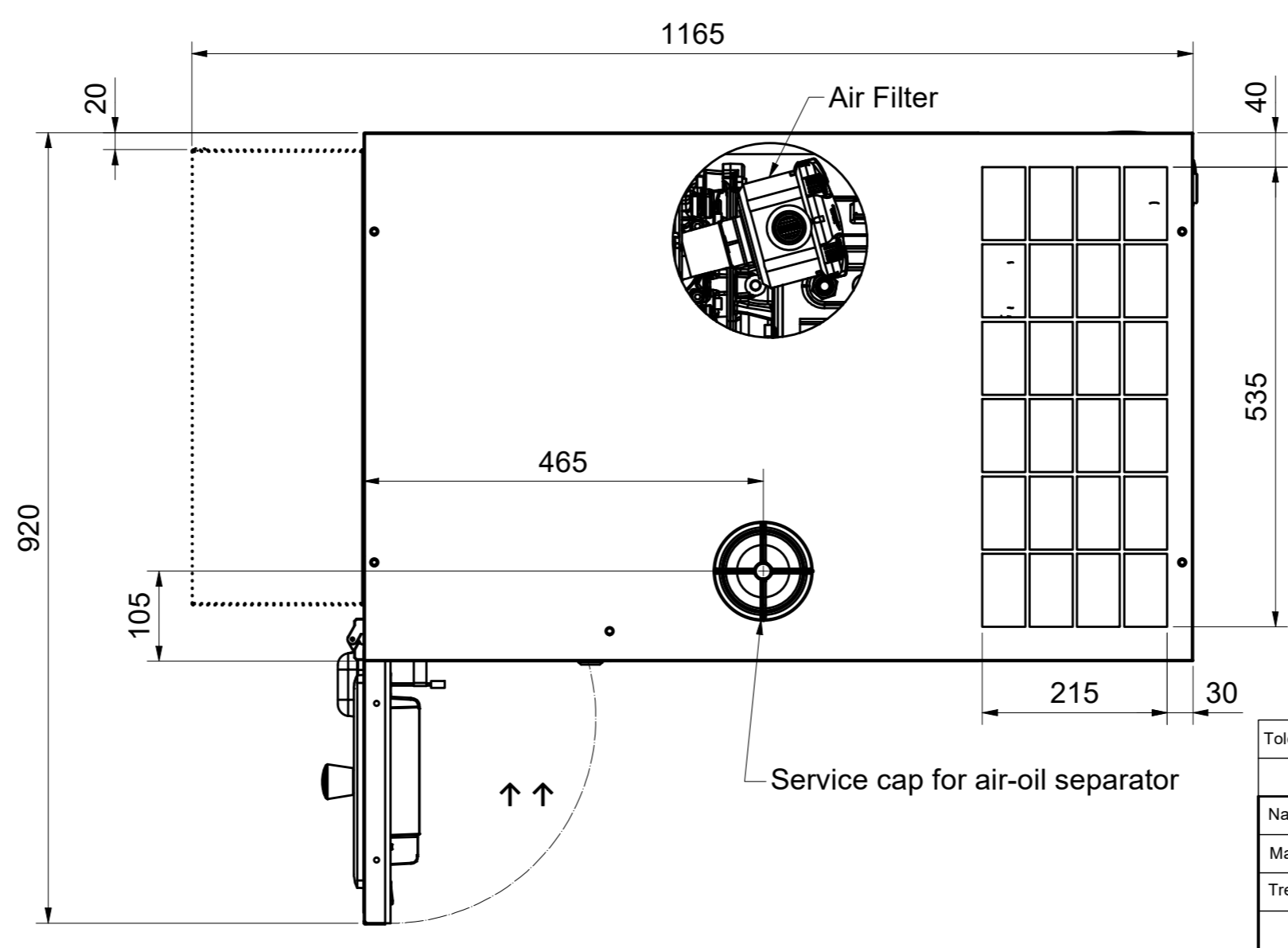
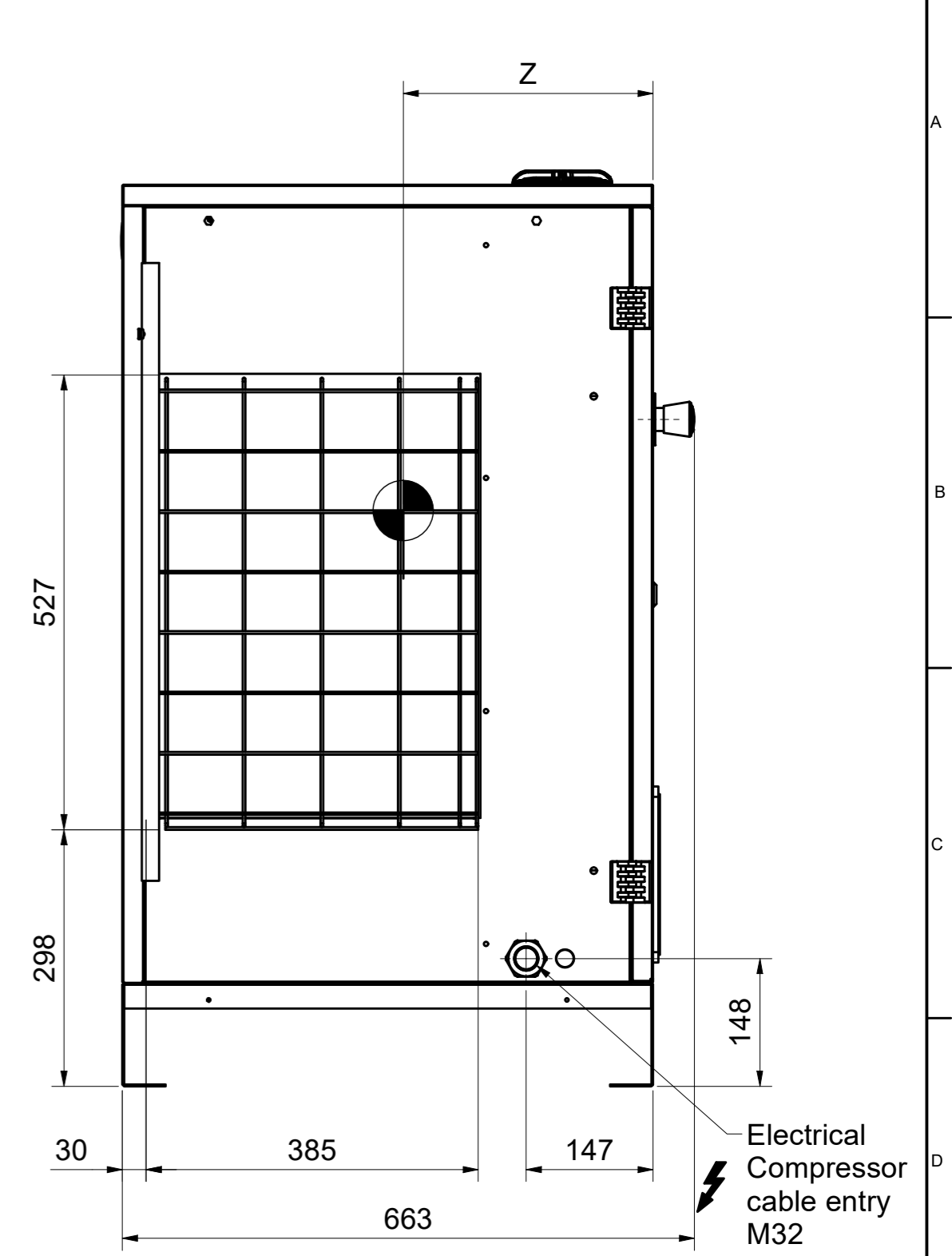
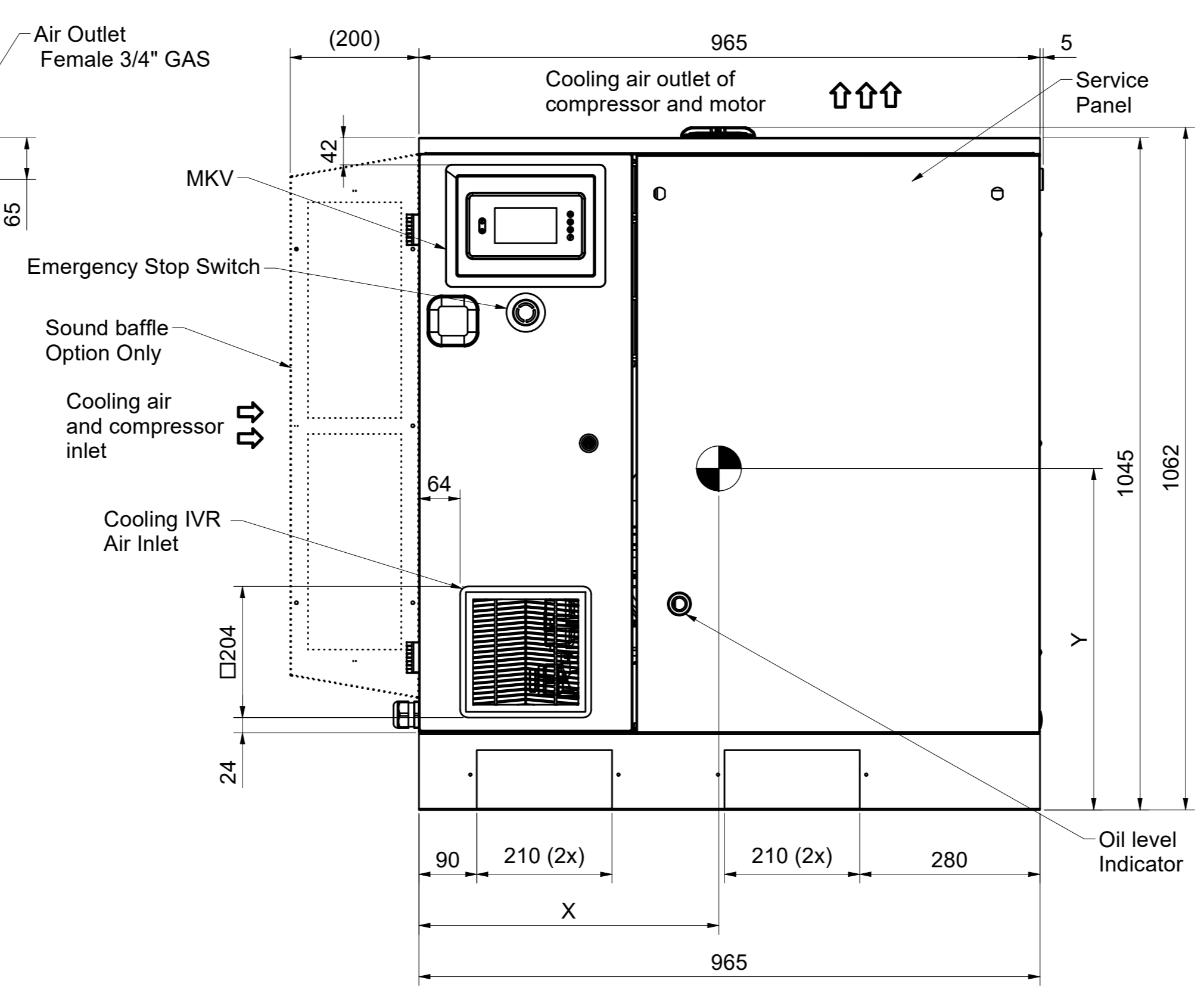
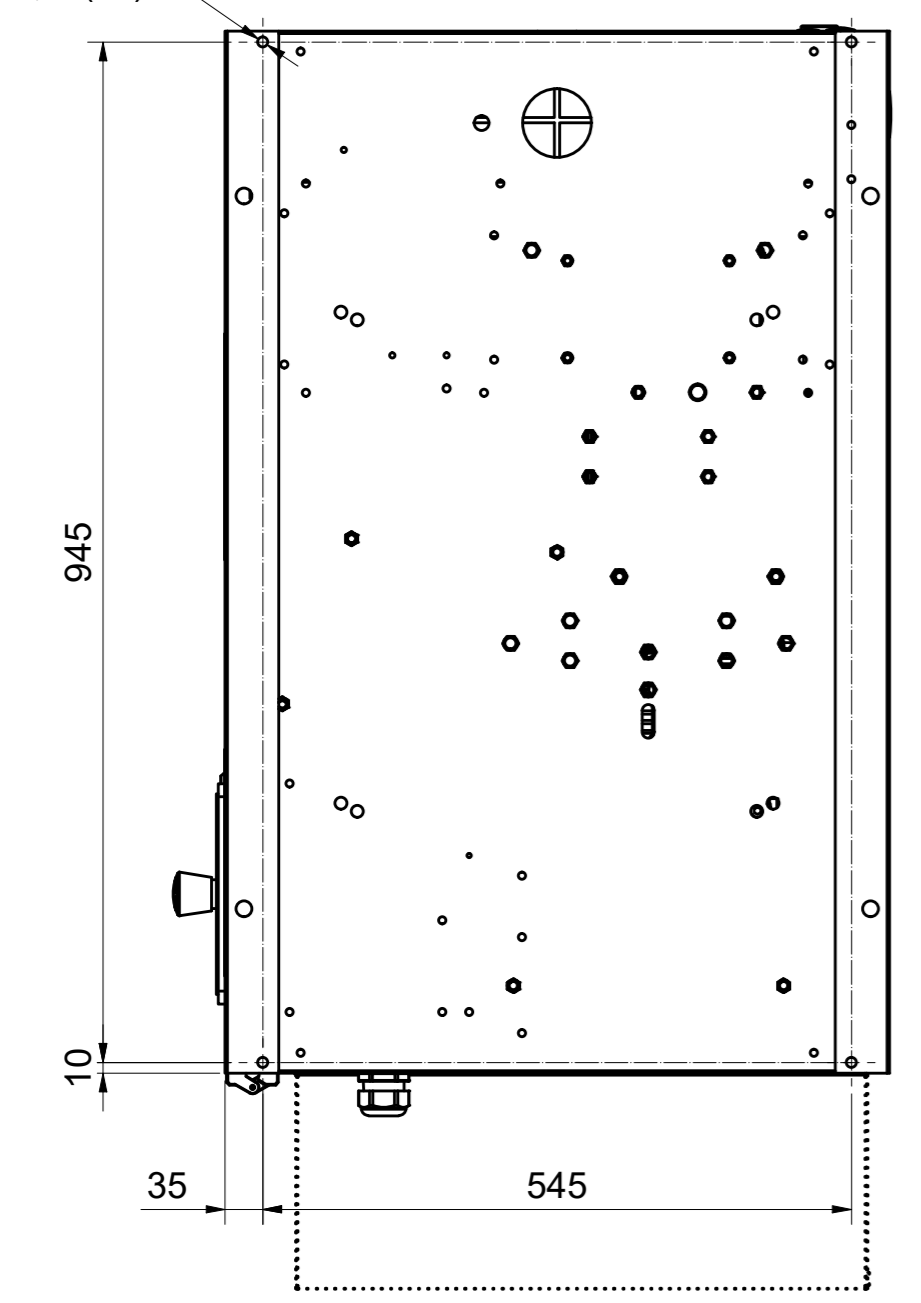


All materials supplied are in compliance with the requirements of the List of Prohibited Substances

CONFIDENTIAL: This document is property of Cecato Air Compress S.r.l. and shall not without our permission be altered, copied, used for manufacturing or communicated to any other person or company.



A (1:7)
ANCHOR POINTS IN BASE



Note:-
 -Center of gravity
 -Dimensions tolerances ±10mm

Power	Approx. weight	COG-X	COG-Y	COG-Z
kW (Hp)	±10 (kg)	±20(mm)	±20(mm)	±20(mm)
7.5 (10)	203	421	471	291
11 (15)	205	418,5	481	288
15 (20)	216	418,5	481	288

Tolerances, if not indicated, according to:				
Name DIMENS. DRWG		IND(E) PM FM P		Confidentiality Class acc. to 1102 K
Material Not Applicable				Internal
Treatment Not Applicable				INV
Scale 1:7	Family	A2 Compare		Owning Unit
Drawn by INEsach	Blank nr.	Replaces		ITJ
Version Drwg	Blank wt	Kg	Fin. wt.	N/A
STATUS	Des checked.	Prod checked.	Approved.	Date 26/08/2025
Parent 3D model Ed. Version 3D				9828085569

1.1	First release. CID 29610	2026-02-17	INESach
Ed	Position	Date	Intr./Appd.

9828085569-M1
Parent 3D model

WorkInProgress

A
B
C
D
E
F
G