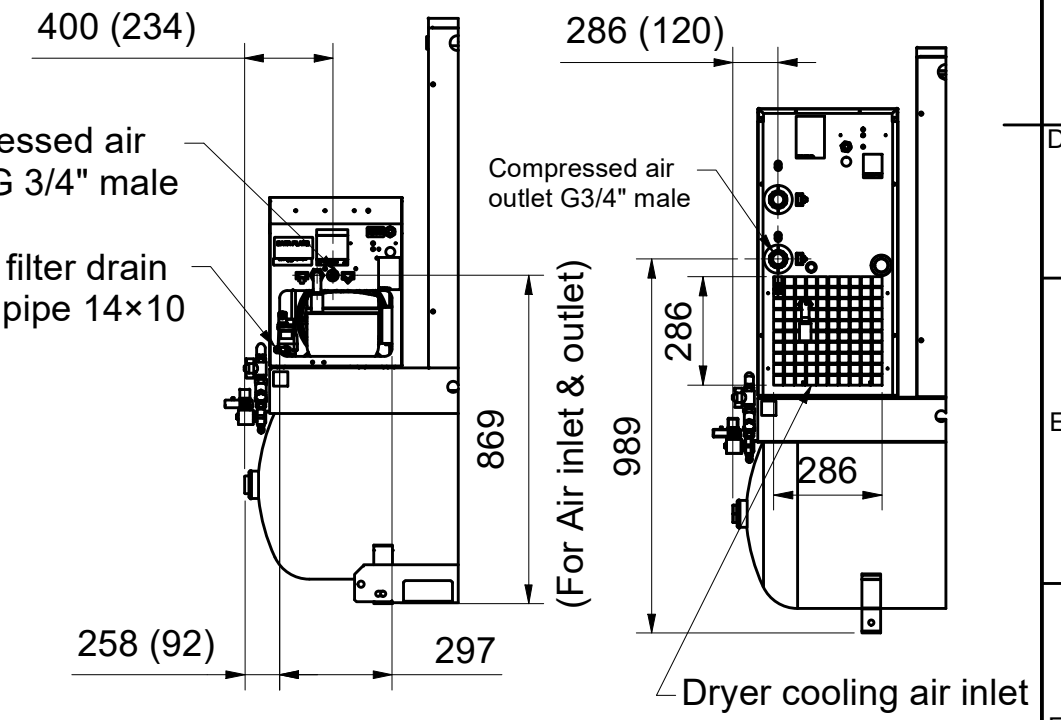
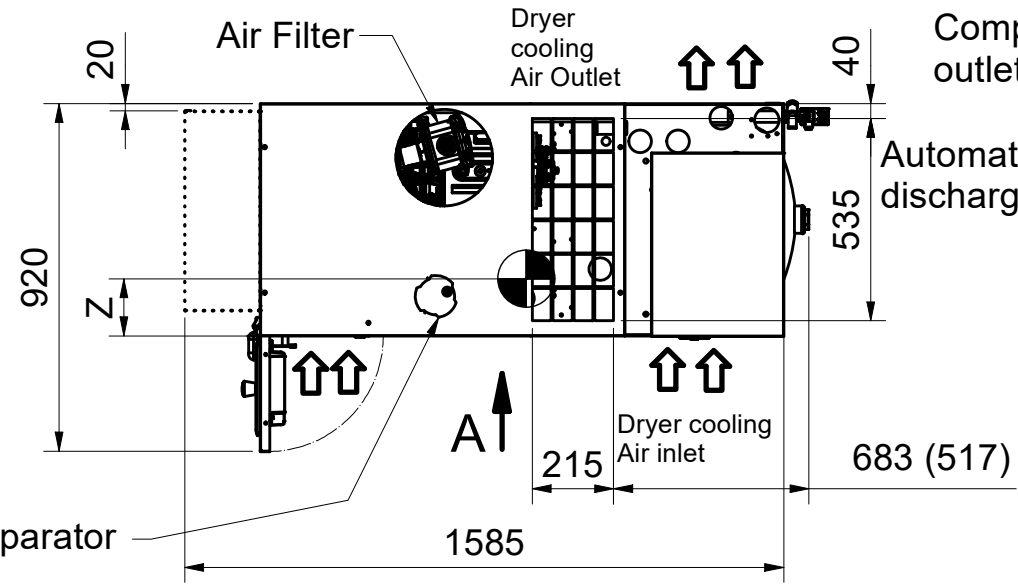
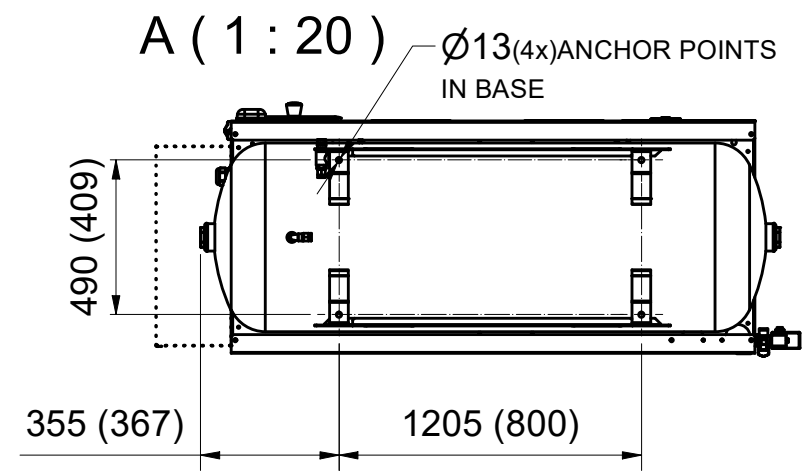
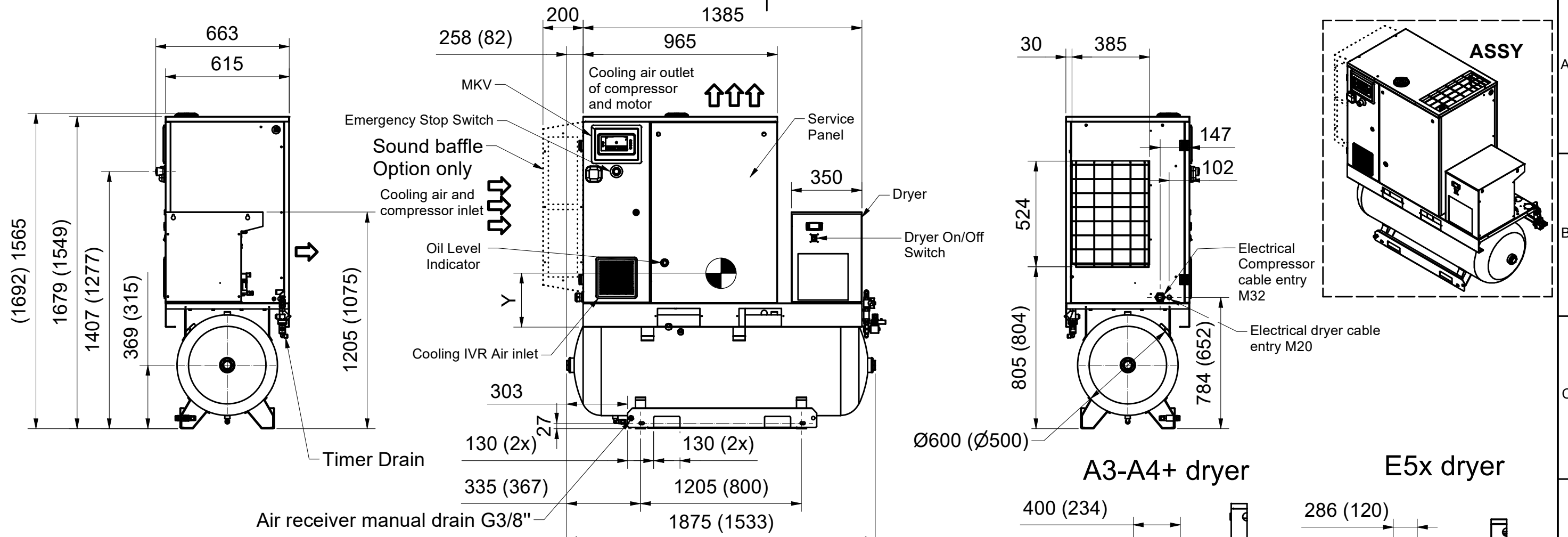


All materials supplied are in compliance with the requirements of the List of Prohibited Substances



NOTES:
 ● - CENTER OF GRAVITY
 - AIR RECEIVER DIMENSION IS GIVEN FOR 500L (270L)
 - Dimensions tolerances ±10mm

Power	Approx.weight	COG-X	COG-Y	COG-Z
kW (Hp)	±10 (kg)	±20(mm)	±20(mm)	±20(mm)
7,5(10)	375 (345)	593 (588)	373 (247)	295 (294)
11(15)	377 (347)	597 (592)	378 (254)	295 (294)
15(20)	405 (373)	597 (592)	378 (254)	295 (294)

1.1	First release. CID 29610	9828085570-M1	Ed . Version 3D
Ed	Position	Date	Intr./Appd.
	Modified from	Parent 3D model	Ed . Version 3D

Tolerances, if not indicated, according to:			
Name DIMENS. DRWG		IND(E) PM TM FF	
Material Not Applicable		Confidentiality Class acc. to 1102 K	
Treatment Not Applicable		Internal	
Scale 1 : 20	Family A3 Compare	Owning Unit ITJ	Transferred from
Drawn by INEsach	Blank nr.	Replaces	
Version Drwg	Blank wt	Kg Fini wt.	N/A
STATUS	Des checked.	Prod checked.	Approved.
			Date 14/11/2025
9828085570			

CONFIDENTIAL: This document is property of Ceccato Aria Compressa S.r.l. and shall not without our permission be altered, copied, used for manufacturing or communicated to any other person or company.