

# ER 10 PRO

ErGoFast line

THE SMALLEST 3D  
BALANCER WITH  
ELECTROMAGNETIC  
BRAKE



# CEMB





# ER10 PRO

## FROM CEMB EXPERIENCE

- **ER10PRO** balancer is the result of CEMB consolidated experience in the manufacturing of high technology garage and industrial balancers since 1946. Development and cooperation with the most important car and tyre manufacturers guarantee to the professionals in the garage equipment field:
- **Reliability**
- **Easy and quick use**
- **Accuracy**
- **3D measures**
- **Reduced cycle time!**

## INNOVATIVE DESIGN:

# ERGOFAST

- With **ER10PRO**, CEMB widens its range of products **ERGOFAST**, maintaining the concepts of ergonomics and practicality together with the original design
- **WBA Wheel Best Access**  
Wide space to work inside the rim
- Innovative touch screen
- Ergonomic tool positioning  
**CLOSE AT HAND!**

## CORE OF TECHNOLOGY

- **Automatic gauge** to measure the distance and diameter of rims of up to 28" with an innovative clip to hold the adhesive weight
- **Virtual Sonar** for 3D measurements of wheels that, in cases of metal rims and absence of sonar, calculates the width of the rim
- **AutoAdaptive Mode** - The new tolerance calculation system
- **Panel with Touch system**, innovative, simple and durable. Allows intuitive use of all machine functions
- **Electromagnetic brake** for the lock of the wheel in the exact weight position
- Software programs for the professionals: **SPLIT, OPT, ALU**
- **ALU-S 3D Balancing mode** - Adhesive weights on the internal rim planes with specific counterweight position indicator
- **Low balancing speed**. Also available in the version equipped with safety guard
- Latest generation **VDD Virtual Direct Drive** - Super-fast and extremely accurate measuring system

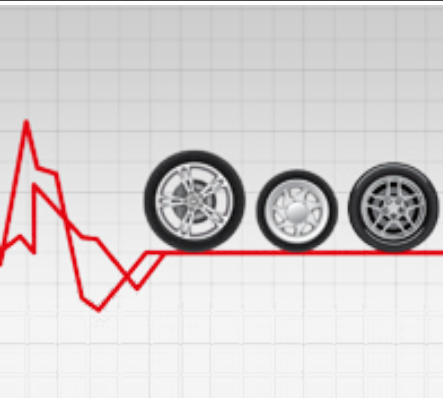




## Virtual Sonar

### INNOVATIVE 3D SOFTWARE THAT CALCULATES RIM WIDTH

- After acquiring the position of the first plane of correction, the new software **Virtual Sonar** calculates the width of the rim, identifying a possible range of external correction planes.
- During the measurement spin, **Virtual Sonar** verifies that it is possible to fall within the tolerance with the correction indicated on all possible external planes.
- If there is even one possible plane for which the required correction does not allow the residual unbalance to fall within the tolerance range (calculated with AutoAdaptive software), the machine will request manual entry of the rim width in mm.



## AutoAdaptive Mode

### THE NEW TOLERANCE CALCULATION SYSTEM

- The innovative tolerance calculation system **AutoAdaptive Mode** is based on the evaluation of the residual imbalance limit value corresponding to an acceptable perceived vibration. For each wheel that is balanced, the software **AutoAdaptive Mode** detects weight and dimensions and calculates the tolerance value that will cancel any vibration perceived on the steering wheel. **AutoAdaptive Mode** grants the highest comfort when driving and saves balancing time.

In 1952 Cemb created the cone adapters for balancing machines and since then the company continued developing and producing high precision centering systems for any type of wheel. **Cemb does not recommend the use of non-original adapters on its balancing machines.**

## STANDARD ACCESSORIES



### UC20/2 GL40 41FF83149

Standard equipment composed of: 3 cones  $\varnothing 45 \div 110$  mm, quick locknut GL40, width gauge, pincer-hammer and 60 g counterweight.



## OPTIONAL ACCESSORIES - Especially designed for car manufacturers



### RL CUP 41FF79255

Large plastic cup with polyurethane protection ring for light alloy rims.

### UH20/2 41FF42048

Universal adapter for all wheels with 3,4,5,6 holes (pitch circle  $\varnothing 95-210$  mm) complete with high precision back centering double cone (Cemb patent) for wheels with/without central hole (Renault, Peugeot and Citroën). Grants double accuracy compared to similar adapters on the market.

### PEUGEOT-CITROËN KIT 41FF73171

High precision kit composed of: 1 bush  $\varnothing 60$  mm + 2 cones ( $\varnothing 62 \div 68$  mm and  $\varnothing 54 \div 60$  mm). Developed according to Peugeot and Citroën specifications.

### VL/2 CONE + G36 DISC 41FF86174

Kit for light truck wheels ( $\varnothing 97 \div 170$  mm central hole).

### SR4 - SR5 - SR5/2 - SRUSA

Stud adapters for rim protection and high precision centering for wheels with 4 or 5 holes. Studs are made of two pieces, elastically coupled: pressure is therefore homogeneous on all the holes.

### RENAULT KIT 41FF77152

High precision kit composed of: 5 bushes ( $\varnothing 60 / 66 / 71 / 88 / 129,9$  mm). Developed according to Renault specifications.

### MT CONE 40FF57321

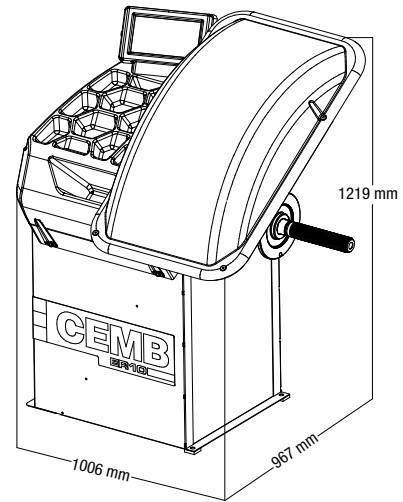
High precision graduated cone for German cars (with central hole  $\varnothing 56,5 / 57 / 66,5 / 72,5$  mm).

### MERCEDES KIT 41FF88003

High precision kit composed of: 3 cones ( $\varnothing 57 - \varnothing 66,5 - \varnothing 84/85$  mm) + 1 pressure spring, according to Mercedes Benz specifications.

FOR MORE INFORMATION SEE THE COMPLETE BROCHURE ON THE WEB SITE:

[www.cemb.com](http://www.cemb.com)

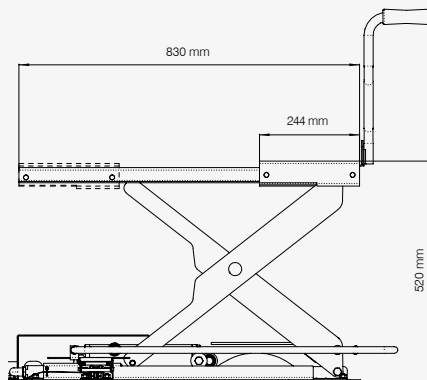


Single phase power supply	115 / 230 V 50/60 Hz
Max. absorbed power	0,15 kW
Balancing speed	100 rpm
Measuring cycle for 15 kg (33 lb) wheel	4.7 s
Measurement uncertainty	0,5 g
Average noise	< 70 dB (A)
Rim width setting range	1.5" ÷ 20" / 40 ÷ 510 mm
Rim diameter setting range	10" ÷ 30" / 265 ÷ 765 mm
Max. wheel weight	< 75 kg
Machine weight	110 kg



## Zero Weight Lift

OPTION TO REDUCE ANY EFFORT



Wheel loading and removal without effort or adjustment

- **PERFECT CENTERING**  
Wheel automatic lifting  
Ideal centering and more accurate balancing
- **QUICK**  
Quicker than any other traditional lift  
A single pedal controls the whole working cycle
- **AUTOMATIC**  
Electronic system with PLC
- **UNIVERSAL**  
Applicable to any CEMB balancing machine

For more information see the complete brochure on the web site [www.cemb.com](http://www.cemb.com)



# CEMB

BALANCING MACHINES

CEMB S.p.A.

Via Risorgimento, 9  
23826 Mandello del Lario (LC) - Italy  
[www.cemb.com](http://www.cemb.com)



Garage equipment division  
CEMB - ITALY  
Plant and Training Center  
Phone +39 0341 706111  
[garage@cemb.com](mailto:garage@cemb.com)

